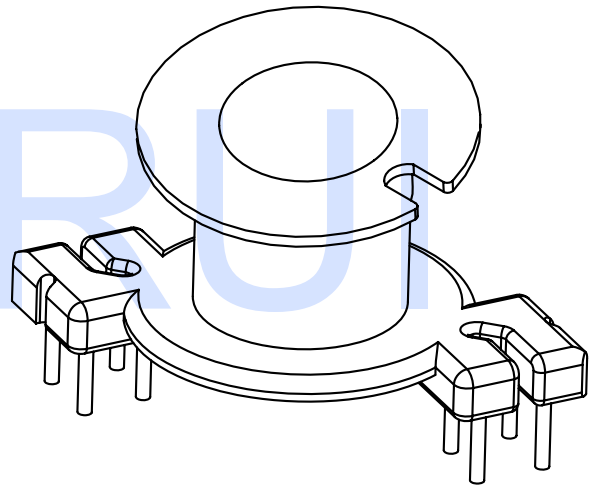
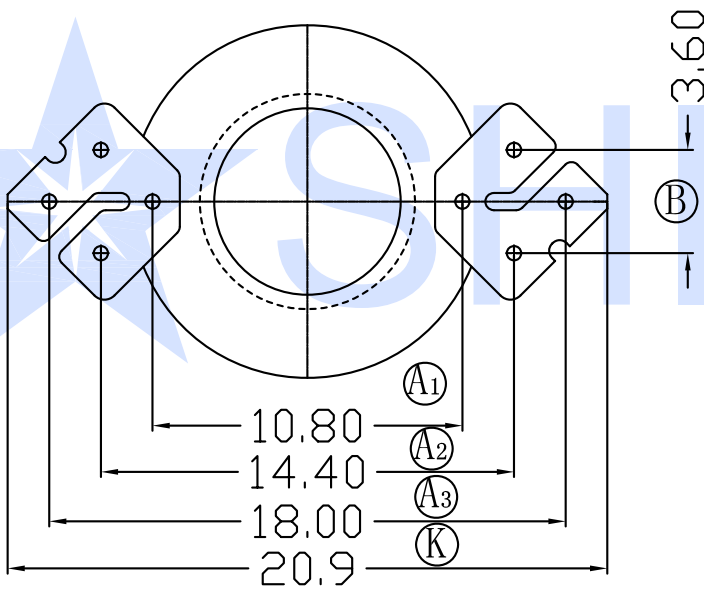
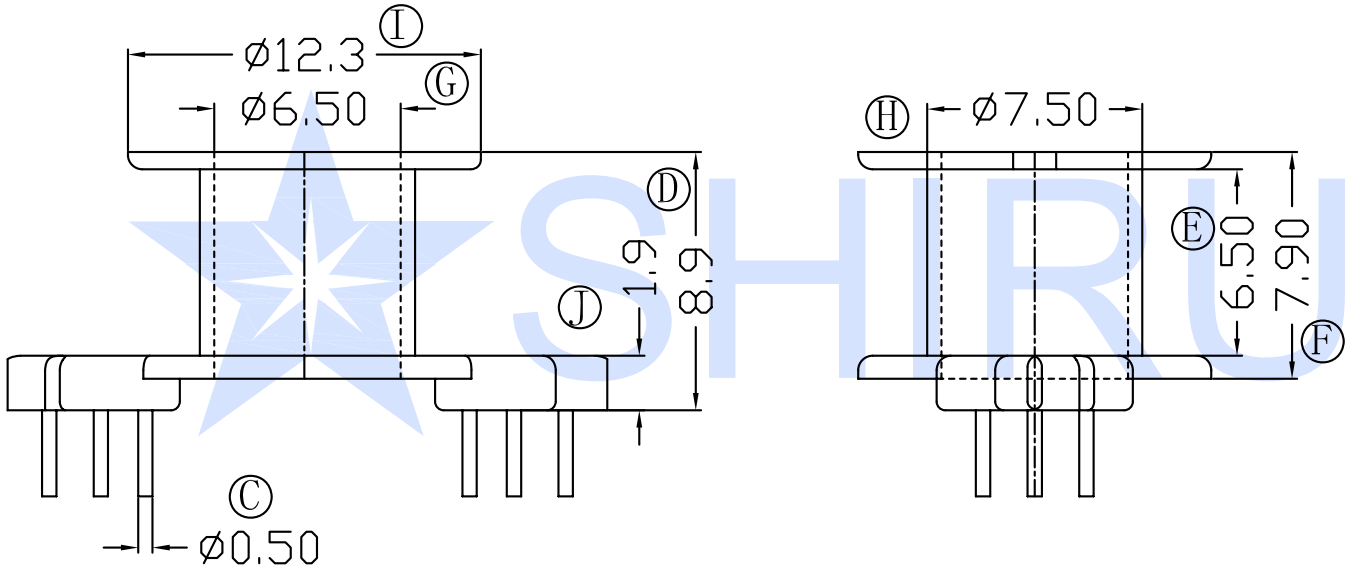


P/N

SR-RM 0602




**Hefei Shirui Electronic Technology Co., Ltd**

TEL: (0086) 55165232650

sales@shiruitech.com

www.shiruitech.com

SR NO. <b>SR-RM 0602</b>	MATERIAL: PHENOLIC	UNIT: mm	DRN.	WILL H
MODEL NAME: <b>RM6-8P-1S V</b>	UL REC: UL 94V-0	TOLERANCE	CHD.	IRINA LEE
	ANGLE: $\pm^\circ$  SCALE 1:1	0 L 4 $\pm 0.10$ 4 L 16 $\pm 0.20$ 16 L 64 $\pm 0.30$ PIN PITCH $\pm 0.05$	ISSD.	JAMES HU